



Bimecc®

w h e e l
a c c e s s o r i e s

Bimecc®

Bimecc Engineering, a leading European manufacturer of fastening solutions and accessories for car alloy wheels. We proudly present our new technical and application catalogue, featuring a range of new products to complete our established range.

In an ever-growing competitive market, Bimecc's state of the art manufacturing facility continues produce products to the highest possible standards and strives to exceed customers expectations regarding quality and delivery service.

To guarantee the best service in North Europe and in Usa, Bimecc has established two warehouses: the first based in Hertfordshire UK, the second in California USA.

OUR MISSION

“Providing fastening solutions and accessories for auto wheels”

To be an excellent supplier, with above average development and maintenance ideals specializing in state-of-the art wheel accessories.

We shall strive to excel in services rendered to our customers by consistently delivering the highest quality product and services on schedule.

OUR VISION

“A wrong fitting of a car wheel might be a safety problem. Bimecc knows how to solve it”

CUSTOMIZATION

Besides to personalized labeling and packaging, Bimecc with its flexible manufacturing capabilities offers to the customer a product customization service also.

In short time, starting from our standard range of products we can reduce the length of a thread or the outside diameter of a cylindrical head bolt as well reduce the cone of a conic nut.

We can also produce car wheel fasteners by customer drawing.



.....FOR THOSE WHO DEMAND EXCELLENCE....



PRODUCTION LINES



WAREHOUSE AND PACKING LINES



WAREHOUSE

R&D

Bimecc is characterized by a strong rush towards innovation, and by the considerable investments devoted to Research and Development. Bimecc employs 3 CAD/CAM stations to develop its products. This guarantees repeatability and short development time from concept to final approval. Our machinery division employs the aid of the most advanced computerized systems and is completely automated to achieve the highest production at the lowest cost. Our high-precision production processes ensure that our products are well fitted for automated assembly lines.

Bimecc R&D and engineering teams are ready to work with you to ensure that all your specifications are met.

QUALITY

With total customer satisfaction as our quality policy objective, we have well-defined and documented quality standards and procedures that have been laid down for project management. The entire Quality System monitors customer relationships and human resources management. During each phase of the manufacturing process, there are controls in place for quality inspections. On going dimensional tests, corrosion tests, and torque & tension tests guarantee the respect of our high quality target.



Cross section analysis on chrome plating coating

QUALITY ACCREDITATION

In 1996 Bimecc achieved ISO9001 quality system certification and in 2000 the QS-9000 quality system certification.

Bimecc is certified to ISO/TS 16949 and ISO 9001 by TÜV.



.....ACCESSORIES FOR ALLOY WHEELS....

PACKAGING

Bimecc offers a wide range of packaging. BIMECC can save our customers time and money by custom packaging and labelling its parts to fit your needs. For requirements ranging from boxing parts to custom labelling, our Custom Packaging Department can help. The Custom Packaging Department provides two primary services.

One service offers the option of packaging product to meet the specific needs of the customer. We can package specific parts with specific quantities in a variety of boxes or bags. We can also custom label these packages with information relating to the product.

The other service provided by Custom Packaging is maintaining sufficient inventory quantities of the parts offered in our catalogue in bulk version.

Bulk packaging



Bulk packaging

Wheel set packagings

We can offer you:

Wheel set packaging with customized labels

Plastic bags

TYPE	SIZE	CONTENT
Bulk packaging	285x190x160	200 to 500 nuts 150 to 300 bolts
	265x140x76	100 pcs
	198x103x53	50 pcs
Wheel set	156x114x68	16 or 20 nuts/bolts in plastic bag with or without hubcentric rings and valve stems
Plastic bags	as required	5 or more pcs



Plastic bags



LUG NUTS

Cone seat 60°	8-13
Flat seat	9 & 13
Ball seat	14-15
Aluminum racing	15
Tuner & adaptors	16-17
Wheel lock kits	18

LUG BOLTS

Cone seat 60°	19-23
Flat seat	20
Ball seat	24-25
Tuner & adaptors	26-27
Wheel lock kits	28-29

LUG WRENCH & ADAPTORS

Adaptors	29
Wheel brace	29

PCD VARIATIONS NUTS-BOLTS

Cone seat 60°	30
---------------	----

HUB STUDS - SPLINE WHEEL STUD

31

AESTHETIC STUDS

for modular wheels look 32

MODULAR WHEELS

Chrome steel	33
Titanium	33
Stainless steel	33

WHEEL SPACERS

34

STEEL INSERTS AND COVER CAPS

35

HUB CENTRIC RINGS

36-37

NUTS AND BOLTS FOR ORIGINAL EQUIPMENT

38-51

NEWS

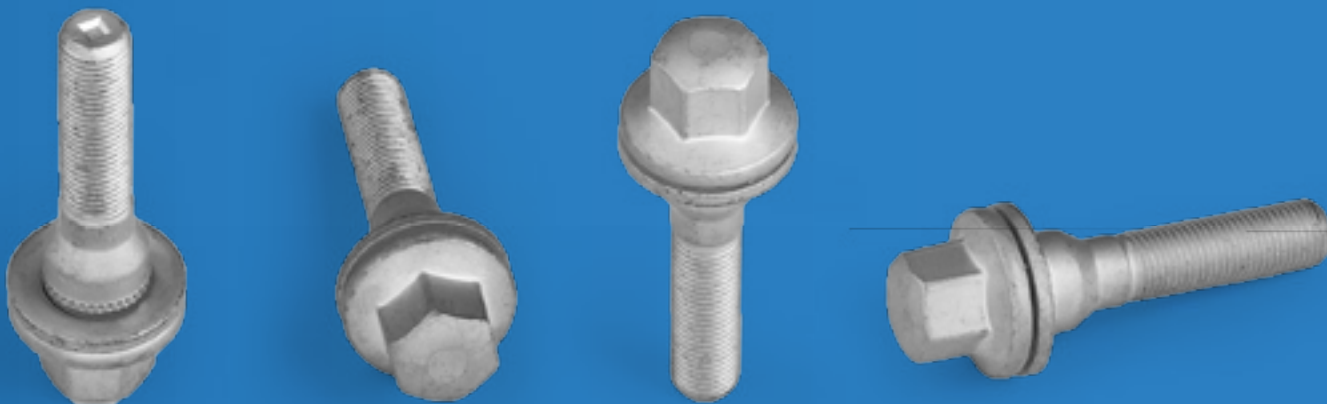
Hub studs

(Look at page 31
for all available lengths)



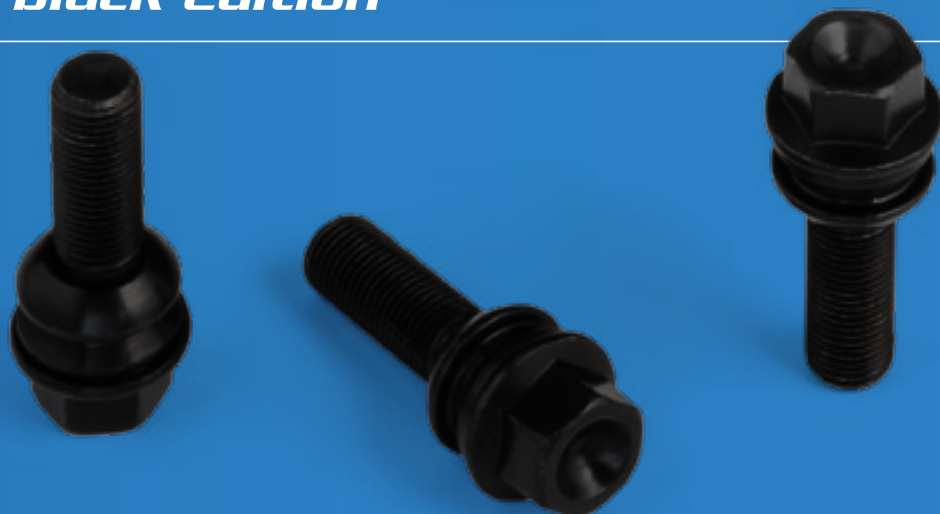
Peugeot bolts for wheel spacers

(Look at page 20 for all available lengths)



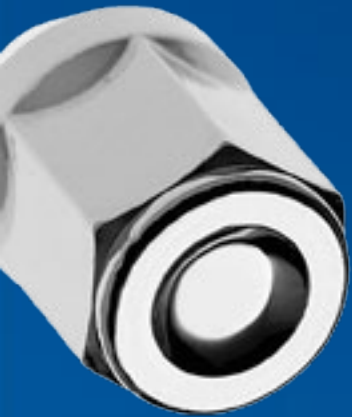
Porsche bolts black edition

New black Porsche bolts
for OEM and aftermarket wheels
(see page 25)



cone seat 60°

17 mm HEX

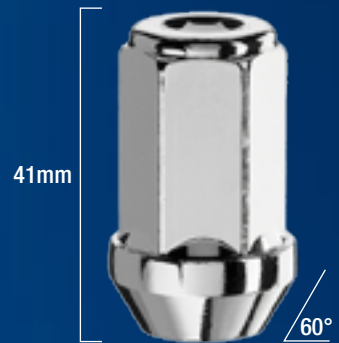
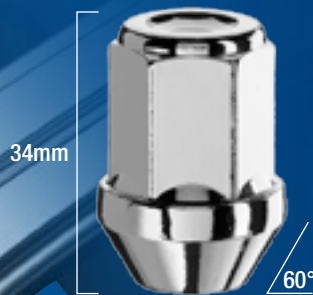


CLOSED LUG NUTS CONE SEAT 17mm HEX	
THREAD SIZE	PART #
M12x1,5	D90
M12x1,25	D91
M12x1,75	enquire
M14x1,5	enquire
M14x2	enquire
3/8 UNF	enquire
7/16 UNF	D93
1/2 UNF	D92
9/16 UNF	enquire

OPEN LUG NUTS CONE SEAT 17mm HEX	
THREAD SIZE	PART #
M12x1,5	D95
M12x1,25	D96
M12x1,75	D99
M14x1,5	D95D
M14x2	enquire
3/8 UNF	enquire
7/16 UNF	enquire
1/2 UNF	D97
9/16 UNF	enquire

cone seat 60°

19 mm (3/4") HEX



CLOSED LUG NUT-CONE SEAT 19mm HEX	
THREAD SIZE	PART #
M12x1,5	D6
M12x1,25	D2
M12x1,75	enquire
M14x1,5	D13
M14x2	D13X2
3/8 UNF	D638
7/16 UNF	D16
1/2 UNF	D10
9/16 UNF	D6H

THREAD SIZE	PART #
M12x1,5	D1
M12x1,25	D3
M12x1,75	D175
M14x1,5	D5
M14x2	D5X2
3/8 UNF	enquire
7/16 UNF	D7
1/2 UNF	D4
9/16 UNF	enquire

.....FOR THOSE WHO DEMAND THE EXCELLENCE....

LUG NUTS

cone seat 60°

19 mm (3/4") HEX

Lifetime Warranty
RUST PROOF STAINLESS STEEL CAP



CLOSED LUG NUT-CONE SEAT 19mm HEX W/ STAINLESS STEEL CAP	
THREAD SIZE	PART #
M12x1,5	D30
M12x1,25	D31
M12x1,75	D35
M14x1,5	D32
M14x2	enquire
3/8 UNF	enquire
7/16 UNF	enquire
1/2 UNF	D33
9/16 UNF	enquire

cone seat 60°

19 mm (3/4") HEX

Short Head nuts

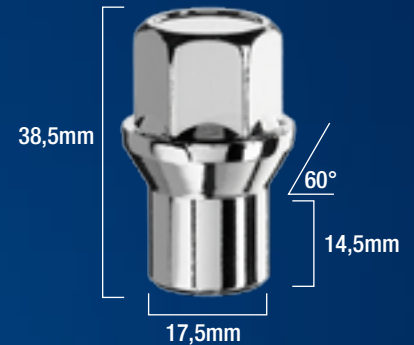
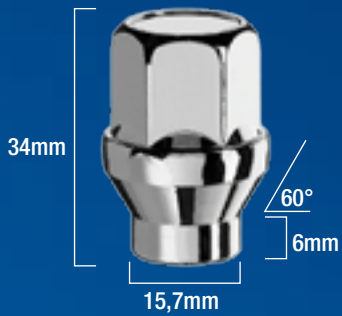


OPEN LUG NUTS CONE SEAT 19mm HEX			
THREAD SIZE	PART #	THREAD SIZE	PART #
M12x1,5	D60	M12x1,5	D14
M12x1,25	D61	M12x1,25	D23
M12x1,75	D65	M12x1,75	D1475
M14x1,5	D62	M14x1,5	D17
M14x2	D62X2	M14x2	D17X2
3/8 UNF	enquire	3/8 UNF	enquire
7/16 UNF	D64	7/16 UNF	D14U16
1/2 UNF	D63	1/2 UNF	D22
9/16 UNF	enquire	9/16 UNF	enquire

OPEN L\ NUT W/FLAT SEAT 19mm HEX	
THREAD SIZE	PART #
M12x1,5	DR/1P
M12x1,25	DR/2P
M12x1,75	enquire
M14x1,5	enquire
M14x2	enquire
3/8 UNF	enquire
7/16 UNF	enquire
1/2 UNF	enquire
9/16 UNF	enquire

cone seat 60°

19 mm (3/4") HEX



OFF ROAD LUG NUTS CONE SEAT 19mm W/SHANK

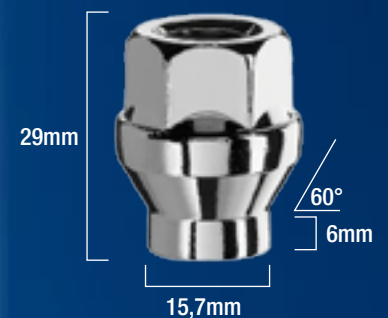
THREAD SIZE	PART #
M12x1,5	D40
M12x1,25	D41
M12x1,75	D45
M14x1,5	D42
M14x2	enquire
3/8 UNF	enquire
7/16 UNF	enquire
1/2 UNF	D43
9/16 UNF	enquire

THREAD SIZE	PART #
M12x1,5	D100
M12x1,25	D101
M12x1,75	enquire
M14x1,5	D102
M14x2	enquire
3/8 UNF	enquire
7/16 UNF	enquire
1/2 UNF	D103
9/16 UNF	enquire

THREAD SIZE	PART #
M12x1,5	D80
M12x1,25	D81
M12x1,75	D83
M14x1,5	D84
M14x2	enquire
3/8 UNF	enquire
7/16 UNF	enquire
1/2 UNF	D82
9/16 UNF	enquire

cone seat 60°

19 mm (3/4") HEX



OPEN OFF ROAD LUG NUTS CONE SEAT 19mm W/SHANK

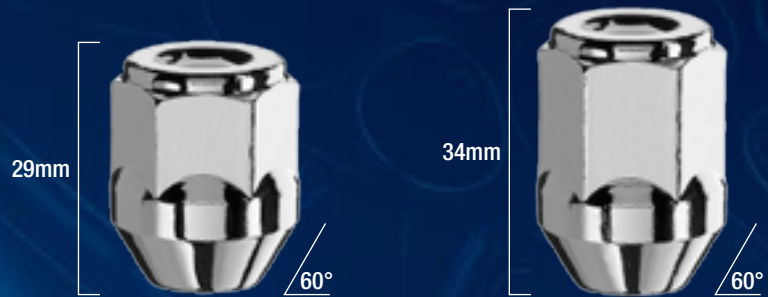
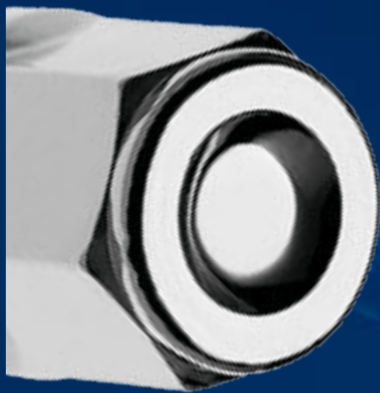
THREAD SIZE	PART #
M12x1,5	D110
M12x1,25	D111
M12x1,75	enquire
M14x1,5	D113
M14x2	D114
3/8 UNF	enquire
7/16 UNF	enquire
1/2 UNF	D112
9/16 UNF	D115

.....FOR THOSE WHO DEMAND THE EXCELLENCE....

LUG NUTS

cone seat 60°

21 mm (13/16") HEX



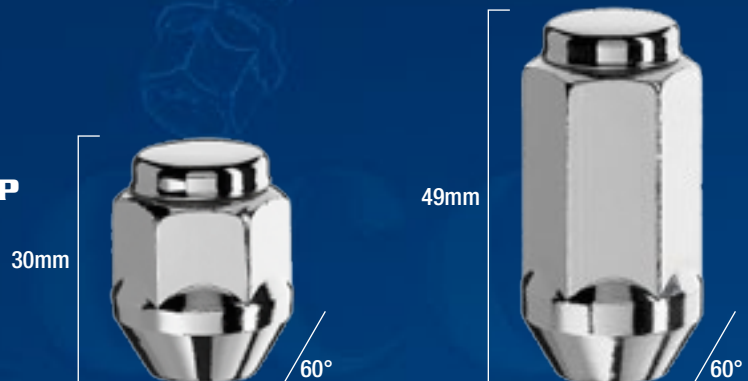
CLOSED LUG NUTS CONE SEAT 21mm HEX

THREAD SIZE	PART #	THREAD SIZE	PART #
M12x1,5	D26	M12x1,5	D8
M12x1,25	D26B	M12x1,25	D9
M12x1,75	enquire	M12x1,75	D875
M14x1,5	enquire	M14x1,5	D8D
M14x2	enquire	M14x2	D8DX2
3/8 UNF	enquire	3/8 UNF	enquire
7/16 UNF	enquire	7/16 UNF	D8U16
1/2 UNF	enquire	1/2 UNF	D15
9/16 UNF	enquire	9/16 UNF	enquire

cone seat 60°

21 mm (13/16") HEX

Lifetime Warranty
RUST PROOF STAINLESS STEEL CAP



CLOSED LUG NUTS CONE SEAT 21mm HEX WITH STAINLES STEEL CAP

THREAD SIZE	PART #	THREAD SIZE	PART #
M12x1,5	D50	M12x1,5	D29
M12x1,25	D51	M12x1,25	enquire
M12x1,75	enquire	M12x1,75	enquire
M14x1,5	enquire	M14x1,5	D29D
M14x2	enquire	M14x2	D29X2
3/8 UNF	enquire	3/8 UNF	enquire
7/16 UNF	enquire	7/16 UNF	enquire
1/2 UNF	enquire	1/2 UNF	D29U2
9/16 UNF	enquire	9/16 UNF	D29G

cone seat 60°

21 mm (13/16") HEX

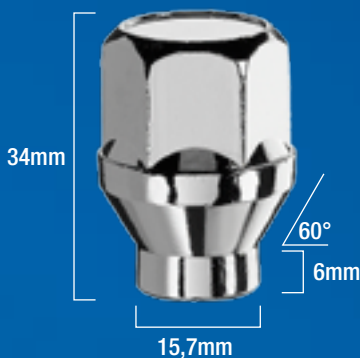
IDEAL FOR UNDER CAP FITMENT



OPEN LUG NUTS CONE SEAT 21mm HEX	
THREAD SIZE	PART #
M12x1,5	D21
M12x1,25	D24
M12x1,75	enquire
M14x1,5	D21D
M14x2	enquire
3/8 UNF	enquire
7/16 UNF	enquire
1/2 UNF	enquire
9/16 UNF	enquire

cone seat 60°
21 mm (13/16") HEX

cone seat 60°
22 mm (7/8") HEX



OFF ROAD LUG NUTS CONE SEAT 21mm HEX W/SHANK	
THREAD SIZE	PART #
M12x1,5	D70
M12x1,25	D71
M12x1,75	enquire
M14x1,5	D76
M14x2	enquire
3/8 UNF	enquire
7/16 UNF	enquire
1/2 UNF	D73
9/16 UNF	enquire



OPEN LUG NUTS CONE SEAT 22mm HEX	
THREAD SIZE	PART #
M12x1,5	enquire
M12x1,25	enquire
M12x1,75	enquire
M14x1,5	D18D
M14x2	D18X2
3/8 UNF	enquire
7/16 UNF	enquire
1/2 UNF	D18
9/16 UNF	enquire

.....FOR THOSE WHO DEMAND THE EXCELLENCE....

LUG NUTS

cone seat 60°

22 mm (7/8") HEX

Lifetime Warranty
RUST PROOF STAINLESS STEEL CAP

CLOSED LUG NUTS CONE SEAT 22mm HEX W/STAINLESS STEEL CAP	
THREAD SIZE	PART #
M12x1,5	enquire
M12x1,25	enquire
M12x1,75	enquire
M14x1,5	DC22D60
M14x2	DC22D14X2
3/8 UNF	enquire
7/16 UNF	enquire
1/2 UNF	enquire
9/16 UNF	DC22G60



CLOSED LUG NUTS CONE SEAT 22mm HEX W/STAINLESS STEEL CAP	
THREAD SIZE	PART #
M12x1,5	enquire
M12x1,25	enquire
M12x1,75	enquire
M14x1,5	enquire
M14x2	enquire
3/8 UNF	enquire
7/16 UNF	enquire
1/2 UNF	enquire
9/16 UNF	DC22G75

flat seat

22 mm (7/8") & 27 mm HEX

LAND ROVER RANGE ROVER



OFF ROAD LUG NUTS FLAT SEAT W/WASHER			OFF ROAD LUG NUTS FLAT SEAT W/WASHER			OFF ROAD LUG NUTS FLAT SEAT W/WASHER		
THREAD SIZE	HEX	PART #	THREAD SIZE	HEX	PART #	THREAD SIZE	HEX	PART #
M14x1,5 Range Rover MY 2002-2005	22	DRR1	M16x1,5 Range Rover MY 1993-2002 Discovery 1993 -2004	27	DRR	M14x1,5 New Range Rover 2006 Inc. Sport & Storm	22	DRR3
			M14X1,5 Range Rover up to 1993 Discovery 1993 -1998 - Defender 90-110	27	DRR2			

ball seat 17 mm HEX



OPEN LUG NUTS BALL SEAT 17mm HEX (RADIUS 12mm)	
THREAD SIZE	PART #
M12x1,5	D95R
M12x1,25	enquire
M12x1,75	enquire
M14x1,5	D95RD
M14x2	D95RX2
3/8 UNF	enquire
7/16 UNF	enquire
1/2 UNF	enquire
9/16 UNF	enquire

ball seat 19 mm (3/4") HEX



OPEN LUG NUTS BALL SEAT 19mm HEX (RADIUS 12mm)	
THREAD SIZE	PART #
M12x1,5	D14R
M12x1,25	enquire
M12x1,75	enquire
M14x1,5	enquire
M14x2	enquire
3/8 UNF	enquire
7/16 UNF	enquire
1/2 UNF	enquire
9/16 UNF	enquire



OPEN LUG NUTS BALL SEAT 19mm HEX (RADIUS 14mm)	
THREAD SIZE	PART #
M12x1,5	enquire
M12x1,25	enquire
M12x1,75	enquire
M14x1,5	D17R
M14x2	enquire
3/8 UNF	enquire
7/16 UNF	enquire
1/2 UNF	enquire
9/16 UNF	enquire

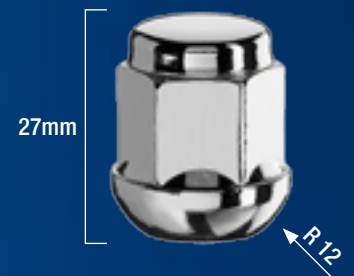
ball seat

19 mm (3/4") HEX

Lifetime Warranty
RUST PROOF STAINLESS STEEL CAP



M12x1.5
for **HONDA**
Application



CLOSED LUG NUTS BALL SEAT 19mm HEX W/STAINLESS STEEL CAP (RADIUS 12mm)	
THREAD SIZE	PART #
M12x1,5	D30R
M12x1,25	D31R
M12x1,75	D35R
M14x1,5	D32R
M14x2	enquire
3/8 UNF	enquire
7/16 UNF	enquire
1/2 UNF	D33R
9/16 UNF	enquire

.....FOR THOSE WHO DEMAND THE EXCELLENCE....

LUG NUTS

aluminum racing 17 mm & 19 mm (3/4") HEX

70% WEIGHT SAVING



RACING ALUMINUM LUG NUTS BALL SEAT 19mm HEX	
THREAD SIZE	PART #
M12x1,5	enquire
M12x1,25	enquire
M12x1,75	enquire
M14x1,5	DPORSCH01
M14x2	enquire
3/8 UNF	enquire
7/16 UNF	enquire
1/2 UNF	enquire
9/16 UNF	enquire

**FOR PORSCHE
APPLICATION**

RACING ALUMINUM LUG NUTS C\ ONE SEAT 17mm HEX	
THREAD SIZE	PART #
M12x1,5	3028-99-1
M12x1,25	3028-99-1B
M12x1,75	enquire
M14x1,5	enquire
M14x2	enquire
3/8 UNF	enquire
7/16 UNF	enquire
1/2 UNF	enquire
9/16 UNF	enquire

ONLY 18.7 GRAMS

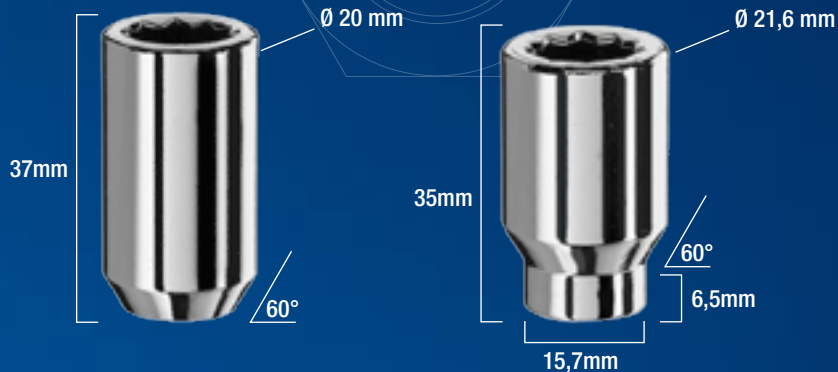
All logos are Registered Trademark of respective owners.

ONLY 18.5 GRAMS

**HAVE IT PERSONALIZED!
engrave your logo by laser!**



Tuner Nuts 20 & 21,6 mm Outside Diameter



TUNER LUG NUTS CONE SEAT 20mm OD	
THREAD SIZE	PART #
M12x1,5	DST20A
M12x1,25	DST20B
M12x1,75	DST20G
M14x1,5	DST20D
M14x2	DST20DX2
3/8 UNF	enquire
7/16 UNF	enquire
1/2 UNF	DST20E
9/16 UNF	enquire

TUNER LUG NUTS CONE SEAT 21,6mm OD W/SHANK	
THREAD SIZE	PART #
M12x1,5	DSTC20A
M12x1,25	DSTC20B
M12x1,75	enquire
M14x1,5	DSTC20D
M14x2	DSTC20DX2
3/8 UNF	enquire
7/16 UNF	DSTC20F
1/2 UNF	DSTC20E
9/16 UNF	DSTC20H

Tuner Nuts 23 mm Outside Diameter

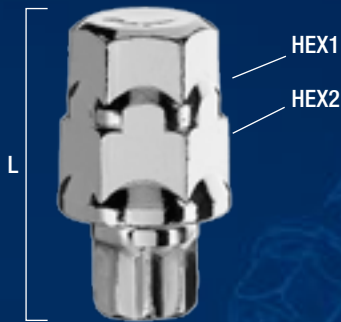


TUNER LUG NUTS CONE SEAT 23mm OD			
THREAD SIZE	PART #	THREAD SIZE	PART #
M12x1,5	DSTA	M12x1,5	DSTA45
M12x1,25	DSTB	M12x1,25	enquire
M12x1,75	DSTG	M12x1,75	DSTG45
M14x1,5	DSTD	M14x1,5	DSTD45
M14x2	DSTDx2	M14x2	DSTD45X2
3/8 UNF	enquire	3/8 UNF	enquire
7/16 UNF	enquire	7/16 UNF	DSTF45
1/2 UNF	DSTE	1/2 UNF	DSTE45
9/16 UNF	DSTH	9/16 UNF	DSTH45

.....FOR THOSE WHO DEMAND THE EXCELLENCE....

LUG NUTS

Tuner lug nuts adaptors



HEX1	HEX2	L	PART #
17	19	39	BRST1719



HEX	L	PART #
17	70	CSTL17
17	116	CSTL17/116
19	70	CSTL19
21	70	CSTL21



HEX	L	PART #
17	30	CST17
19	30	CST19
21	30	CST21



Wheel lock kits



OPEN WHEEL LOCK NUTS		
THREAD SIZE	HEX ADAPTOR	PART #
M12x1,5	19/21	UMO115
M12x1,25	19/21	UMO215
M12x1,75		enquire
M14x1,5	19/21	UMO415
M14x2		enquire
3/8 UNF		enquire
7/16 UNF		enquire
1/2 UNF	19/21	UM0012
9/16 UNF		enquire

CLOSED WHEEL LOCK NUTS		
THREAD SIZE	HEX ADAPTOR	PART #
M12x1,5	19/21	UM115
M12x1,25	19/21	UM215
M12x1,75		enquire
M14x1,5	19/21	UM415
M14x2		enquire
3/8 UNF		enquire
7/16 UNF		enquire
1/2 UNF	19/21	UM012
9/16 UNF		enquire

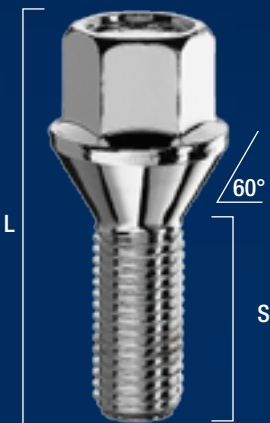
- **WHEEL LOCKS SET
4 PCS IN CLAMSHELL**



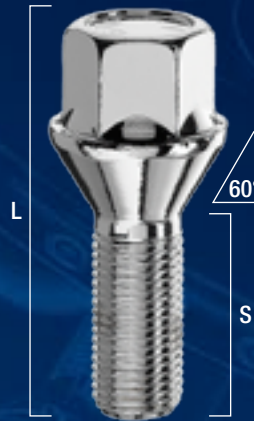
LUG BOLTS

cone seat 60°
17 mm HEX - M12x1,5

cone seat 60°
17 mm HEX - M12x1,25



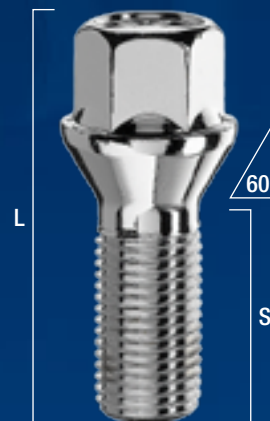
LUG BOLTS M12x1,5 CONE SEAT 17mm HEX		
S	L	PART #
21	46.5	C17A21
22	47.5	LC17A22F
24	49	B27
26	51.5	B12
28	53.5	C17A28
30	55.5	B30
32	57.5	C17A32
35	60.5	C17A35
37	62.5	C17A37
39	64	B34
42	67.5	C17A42
43	68.5	C17A43
45	70.5	C17A45
47	72	C17A50/47
50	75	C17A50
55	80	C17A55
60	85	C17A60



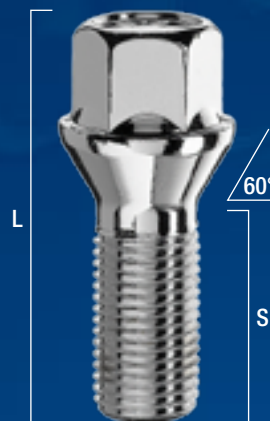
LUG BOLTS M12x1,25 CONE SEAT 17mm HEX		
S	L	PART #
24	48,5	C17B24
26	50	C17B26
28	52	C17B28
30	54	C17B30
32	56	C17B32
34	58	C17B34
36	60	C17B36
39	64	C17B39
42	67	C17B42
45	70	C17B45
50	75	C17B50
55	80	C17B60/55
60	85	C17B60

cone seat 60°
17 mm HEX - M14x1,5

cone seat 60°
17 mm HEX M14x1,25



LUG BOLTS M14x1,5 CONE SEAT 17mm HEX		
S	L	PART #
20	43.5	B46/20
25	48.5	B46
27	51	C17D27
28	52	B13
30	53.5	C17D30
33	56	B42
35	58	C17D35
38	62	C17D40/38
40	63,5	C17D40
43	67	C17D43
45	69	C17D45
47	71	C17D50/47
50	74	C17D50
55	79	C17D60/55
60	84	C17D60

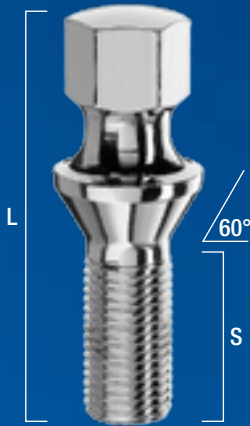


LUG BOLTS M14x1,25 CONE SEAT 17mm HEX		
S	L	PART #
27,6	51	C17F27
33	56,5	C17F33
35	58,5	C17F35
38	61,5	C17F38
40	63,5	C17F40
43	66,5	C17F43
50	73,5	C17F50

**cone seat 60°
17 mm HEX - M12x1,5**

**flat seat
17 mm HEX 12x1,25**

NEW



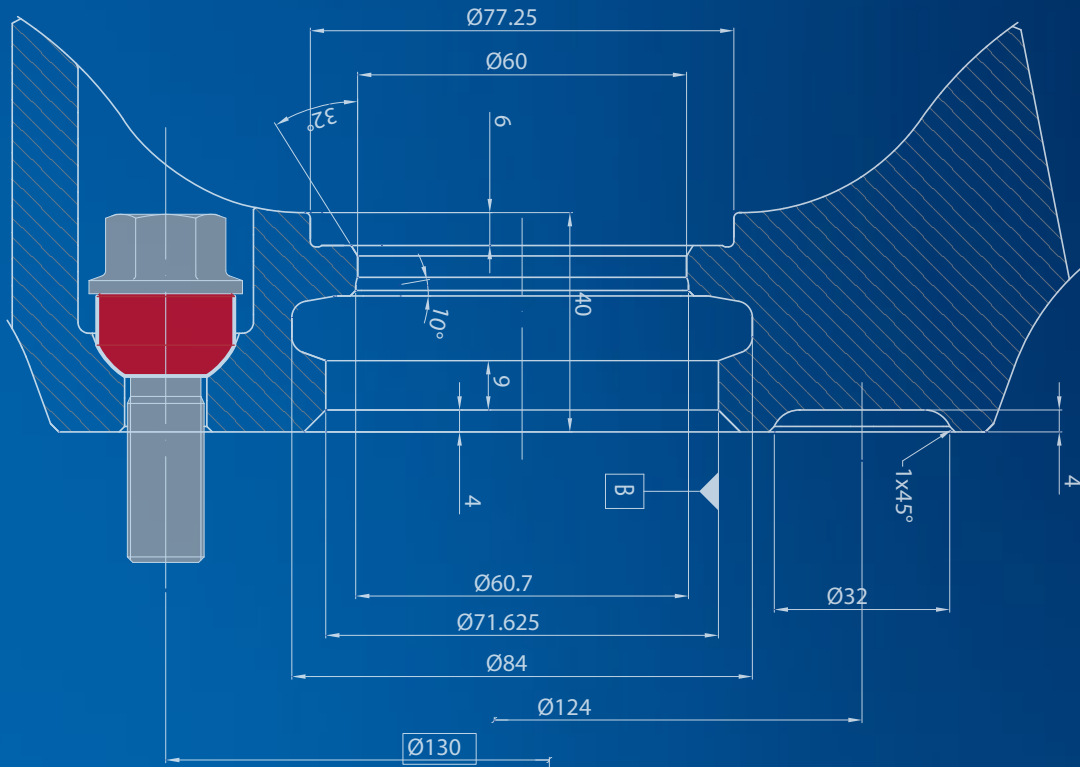
**Long head LUG BOLTS M12x1,5
CONE SEAT 17mm HEX**

S	L	PART #
29	67	BM67



**LUG BOLTS M12x1,25 FLAT SEAT
17mm HEX**

S	L	PART #
35	57	VPE03
40	62	VPE03-40
45	67	VPE03-45
50	72	VPE03-50
55	77	VPE03-55

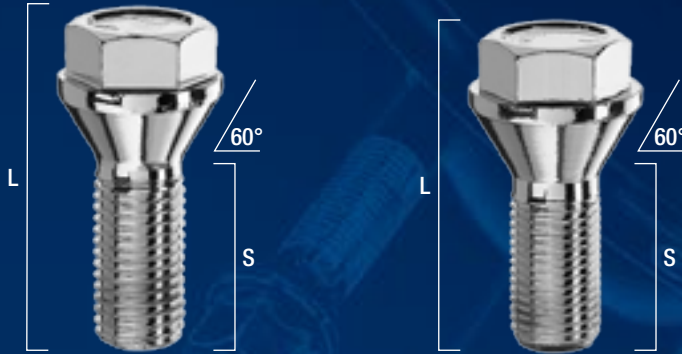


LUG BOLTS

cone seat 60°

17 mm HEX - SHORT HEAD

Ideal for under cap and wheel spacer application

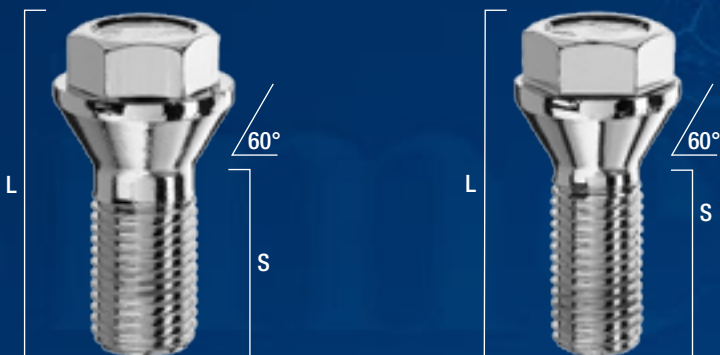


- The right choice to fix wheel spacers to the hub
- **only 7 mm head height!**



SHORT HEAD LUG BOLTS M12x1,5 CONE SEAT 17mm HEX		
S	L	PART #
19	35	C17A19TB
21	37,5	C17A21TB
21	37,5	C17A21TBEI
26	42,5	C17A26TB
26	42,5	C17A26TBEI

SHORT HEAD LUG BOLTS M12x1,25 CONE SEAT 17mm HEX		
S	L	PART #
22	41	C17B22TB

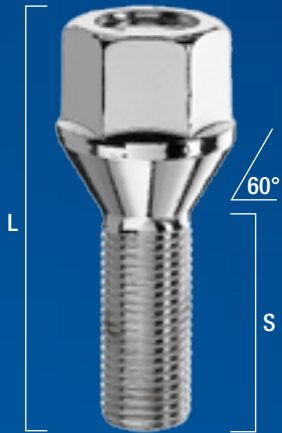


SHORT HEAD LUG BOLTS M14x1,5 CONE SEAT 17mm HEX		
S	L	PART #
19	35,5	C17D19TB
21	37,5	C17D21TB
24	40,5	C17D24TBEI
26	42,5	C17D26TB

SHORT HEAD LUG BOLTS M12x1,75 CONE SEAT 17mm HEX		
S	L	PART #
21	37,5	C17G21TB
26	42,5	C17G26TB

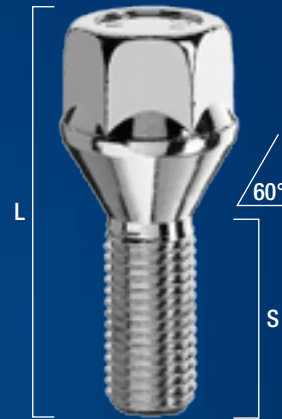


cone seat 60°
19 mm (3/4") HEX
M12x1,25



LUG BOLTS M12x1,25 CONE SEAT 19mm HEX		
S	L	PART #
24	49	C19B24
26	51	C19B26
28	53	B14
32	57	B31
34	59	C19B34
36	61	C19B36
39	64	C19B42/39
42	67	C19B42
46	71	C19B46
50	74	C19B50

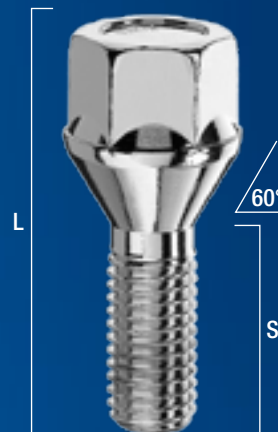
cone seat 60°
19 mm (3/4") HEX
M12x1,5



LUG BOLTS M12x1,5 CONE SEAT 19mm HEX		
S	L	PART #
24	49	C19A24
26	51	B15
50	75	C19A50

cone seat 60°
19 mm (3/4") HEX
M12x1,75

FOR VOLVO APPLICATION

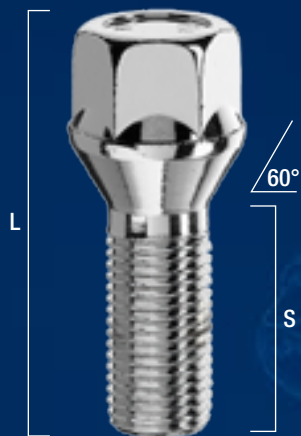


LUG BOLTS M12x1,75 CONE SEAT 19mm HEX		
S	L	PART #
27	53	VOLVO
35	59,5	C19G35



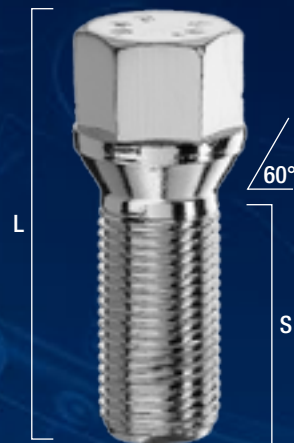
LUG BOLTS

**cone seat 60° 19 mm
(3/4") HEX M14x1,5**



LUG BOLTS M14x1,5 CONE SEAT 19mm HEX		
S	L	PART #
28	51,5	C19D30/28
30	53,5	C19D30
33	56	C19D36/33
34	57	C19D36/34
36	59	C19D36
50	73	C19D50
69	92	C19D69

**cone seat 60° 19 mm
(3/4") HEX M16x1,5**

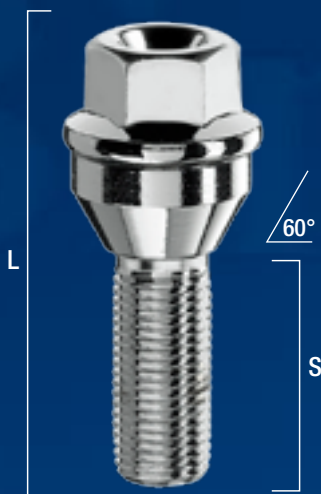


LUG BOLTS M16x1,5 CONE SEAT 19mm HEX		
S	L	PART #
33	54	2005-02-01

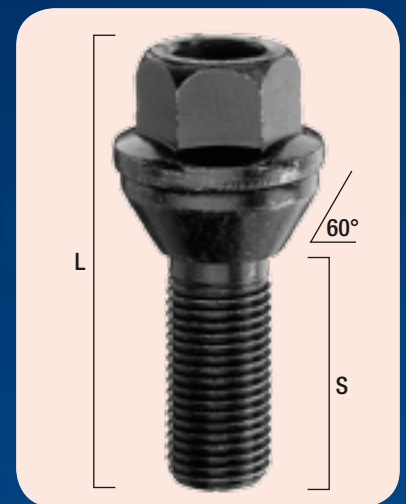
cone seat 60°

19 mm HEX - M14x1,5

WITH MOBILE WASHER



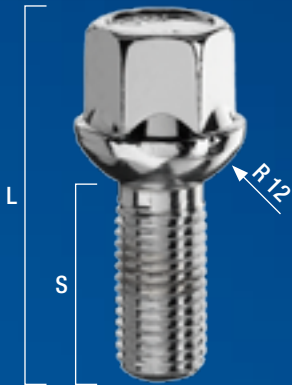
LUG BOLTS M14x1,5 CONE SEAT 19mm HEX		
S	L	PART #
28	57,5	PC19D28-MW
30	59,5	PC19D30-MW
37	66,5	PC19D37-MW
42	71,5	PC19D42-MW
45	74,5	PC19D45-MW
48	77,5	PC19D48-MW
53	82,5	PC19D53-MW
58	87,5	PC19D58-MW



LUG BOLTS M14x1,5 CONE SEAT 19mm HEX W/WASHER Hollow head		
S	L	PART #
31	58	C19D31-MW
34	61	C19D34-MW

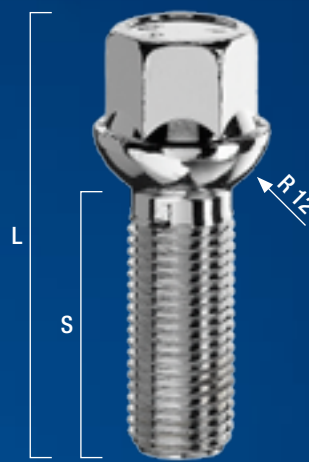
ball seat 17 mm HEX

(radius 12mm)



**LUG BOLTS M12x1,5 BALL SEAT
17mm HEX (radius 12 mm)**

S	L	PART #
21	42,5	LS17A21F
23	42,5	S17A23
26	45,5	S17A26
28	48,5	S17A28
30	50,5	S17A30
32	53,5	S17A32
35	57,5	S17A35
40	60,5	S17A40
45	65	S17A45
50	72,5	S17A50
55	77,5	S17A55
60	81	S17A60

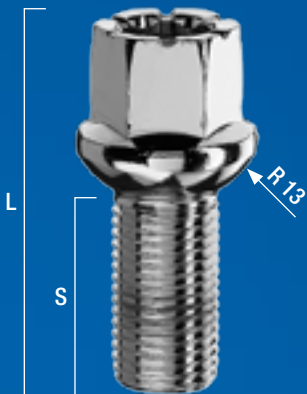


**LUG BOLTS M14x1,5 BALL SEAT
17mm HEX
(radius 12 mm)**

S	L	PART #
25,5	45	LS17D25F
27	47	S17D27
30	51	S17D30
35	56	S17D35
37	58	S17D40/37
38	59	S17D40/38
40	61	S17D40
45	66	S17D45
47	68	S17D50/47
48	69	S17D50/48
50	71	S17D50
52	73	S17D60/52
55	76	S17D60/55
60	81	S17D60
64	85	S17D64

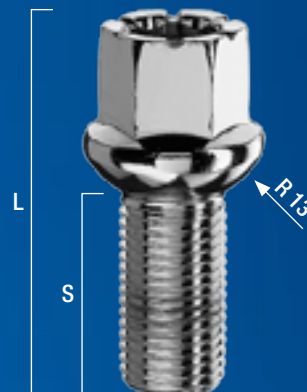
ball seat 17 mm HEX

(radius 13mm)



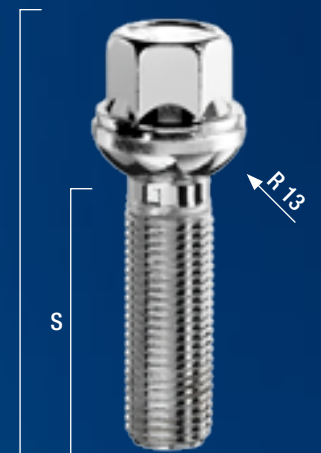
**LUG BOLTS M12x1,5 BALL SEAT
17mm HEX Hollow head
(radius 13 mm)**

S	L	PART #
25	44,5	LS17A25F



**LUG BOLTS M14x1,5 BALL
SEAT 17mm HEX Hollow head
(radius 13 mm)**

S	L	PART #
27	48	LS17D27F



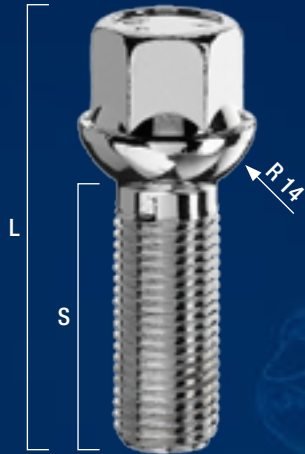
**LUG BOLTS M14x1,5 17mm
HEX W/SWIVEL WASHER**

S	L	PART #
32	55,5	S17D32-MW
39	63,5	S17D39-MW
42	65,5	S17D42-MW
48	71,5	S17D48-MW

LUG BOLTS

ball seat 17 mm HEX

(radius 14mm)



LUG BOLTS M14x1,5 BALL SEAT 17mm HEX (radius 14 mm)		
S	L	PART #
35	54	S17D45R14/35
40	59	S17D45R14/40
43	62	S17D43R14
45	64	S17D45R14
47	66	S17D47R14
50	69	S17D50R14
55	74	S17D55R14
60	79	S17D60R14
65	84	S17D65R14

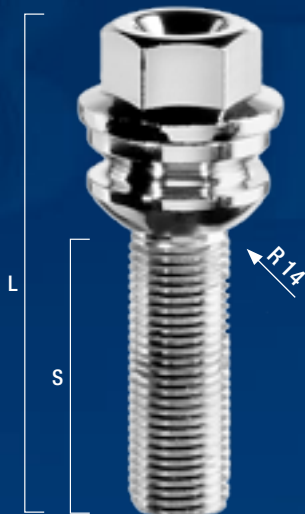


LUG BOLTS M14x1,5 BALL SEAT 17mm HEX Hollow head (radius 14 mm)		
S	L	PART #
27	48	LS17D27R14MB

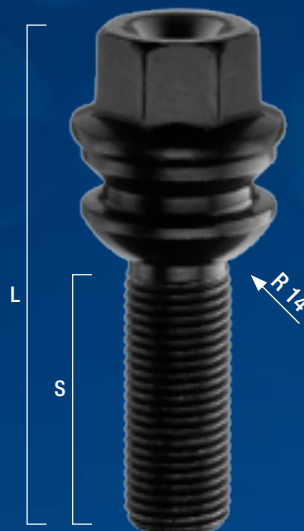
ball seat 19 mm HEX

(radius 14mm)

NEW



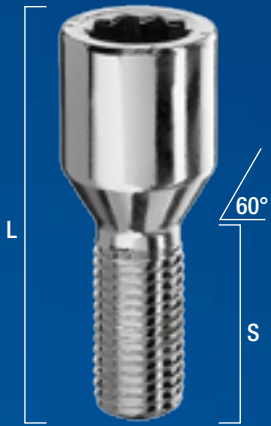
LUG BOLTS M14x1,5 BALL SEAT 19mm HEX W/SWIVEL WASHER (radius 14 mm)		
S	L	PART #
28	57,5	PS19D28-MW
30	59,5	PS19D30-MW
37	66,5	PS19D37-MW
42	71,5	PS19D42-MW
45	74,5	PS19D45-MW
48	77,5	PS19D48-MW
53	82,5	PS19D53-MW
58	87,5	PS19D58-MW



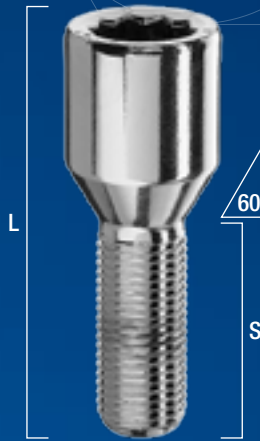
LUG BOLTS M14x1,5 BALL SEAT 19mm HEX W/SWIVEL WASHER (radius 14 mm)		
S	L	PART #
28	57,5	PS19D28-MW-ZN
30	59,5	PS19D30-MW-ZN
37	66,5	PS19D37-MW-ZN
42	71,5	PS19D42-MW-ZN
45	74,5	PS19D45-MW-ZN
48	77,5	PS19D48-MW-ZN
53	82,5	PS19D53-MW-ZN
58	87,5	PS19D58-MW-ZN

Tuner Bolts

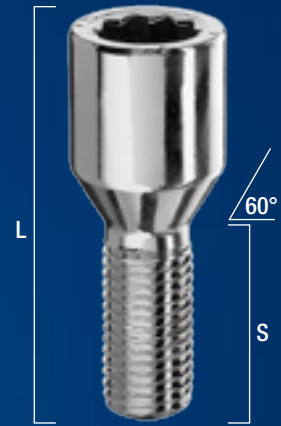
20 mm Outside Diameter



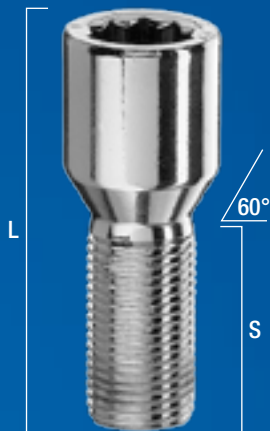
TUNER LUG BOLTS M12x1,5 CONE SEAT 20mm OD		
S	L	PART #
22	48	VST20A22
24	50	VST20A24
26	52	VST20A26
28	54	VST20A28
32	58	VST20A32
45	71	VST20A45



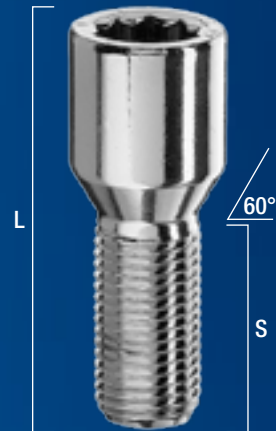
TUNER LUG BOLTS M12x1,25 CONE SEAT 20mm OD		
S	L	PART #
24	50	VST20B24
26	52	VST20B28/26
28	54	VST20B28
30	56	VST20B50/30
36	62	VST20B50/36
42	68	VST20B50/42
45	71	VST20B50/45
50	76	VST20B50



TUNER LUG BOLTS M12x1,75 CONE SEAT 20mm OD		
S	L	PART #
28	54	VST20G28
30	56	VST20G30



TUNER LUG BOLTS M14x1,25 CONE SEAT 20mm OD		
S	L	PART #
27	52	VST20F27
33	57	VST20F50/33
38	62	VST20F50/38
45	69	VST20F50/45
50	74	VST20F50

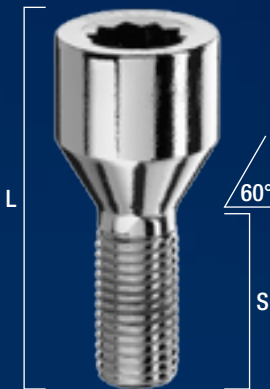


TUNER LUG BOLTS M14x1,5 CONE SEAT 20mm OD		
S	L	PART #
25	50	VST20D28/25
28	53	VST20D28
30	55	VST20D30
33	58	VST20D33
40	65	VST20D40
45	70	VST20D45
55	80	VST20D55

LUG BOLTS

Tuner Bolts

23 mm Outside Diameter



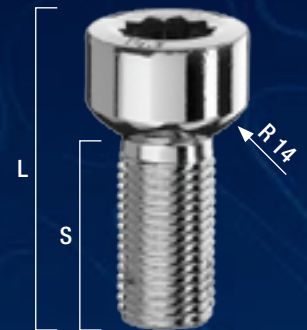
TUNER LUG BOLTS M12x1,5 CONE SEAT 23mm OD		
S	L	PART #
24	49,5	VSTA24
26	51,5	VSTA26
28	53,5	VSTA28
32	57,5	VSTA32
40	65,5	VSTA40
42	67,5	VSTA42
52	77,5	VSTA52



TUNER LUG BOLTS M12x1,25 CONE SEAT 23mm OD		
S	L	PART #
22	47,5	VSTB22
24	49,5	VSTB24
26	51,5	VSTB26
28	53,5	VSTB28
40	65,5	VSTB40
50	75,5	VSTB50

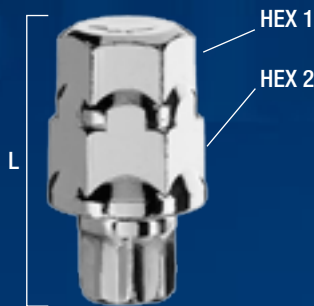


TUNER LUG BOLTS M14x1,5 CONE SEAT 23mm OD		
S	L	PART #
28	53,5	VSTD28
30	55,5	VSTD30
33	58,5	VSTD33
40	65,5	VSTD40
45	70,5	VSTD45
50	75,5	VSTD50
55	80,5	VSTD55



TUNER LUG BOLT M14x1,5 BALL SEAT 23MM OD		
S	L	PART #
28	45	VSTD28R14

Tuner lug bolts adaptors



HEX1	HEX2	L	PART #
17	19	39	BRST1719



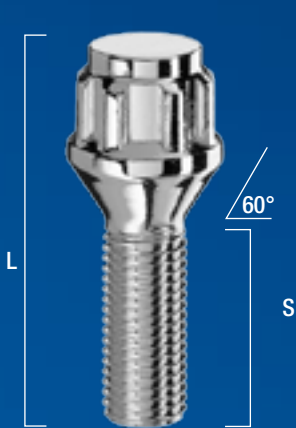
HEX	L	PART #
17	70	CSTL17
17	116	CSTL17/116
19	70	CSTL19
21	70	CSTL21



HEX	L	PART #
17	30	CST17
19	30	CST19
21	30	CST21

Lock bolts

cone seat 60°



**WHEEL LOCKS LUG BOLTS
M12x1,5**

S	L	PART #
23	49	UB123
25	51	UB125
30	54	UB130
40	64	UB140



**WHEEL LOCKS LUG BOLTS
M12x1,25**

S	L	PART #
27	52	UB325
50	75	UB350



**WHEEL LOCKS LUG BOLTS
M14x1,5**

S	L	PART #
25	50	UB425
30	55	UB430
32	58	UB432
40	66	UB440
50	76	UB450



**WHEEL LOCKS LUG BOLTS
M14x1,25**

S	L	PART #
27	51	UB527

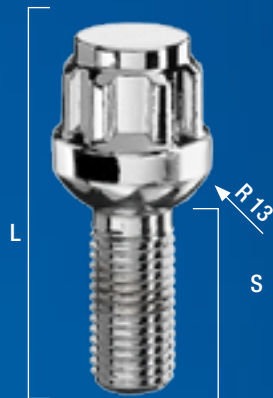
Lock bolts

ball seat



**WHEEL LOCKS LUG BOLTS
M12X1,5 BALL SEAT**

S	L	PART #
23	48	UBR123



**WHEEL LOCKS LUG BOLTS
M12X1,5 BALL SEAT**

S	L	PART #
28	51	UBR130



**WHEEL LOCKS LUG BOLTS
M14X1,5 BALL SEAT**

S	L	PART #
28	51	UBR430



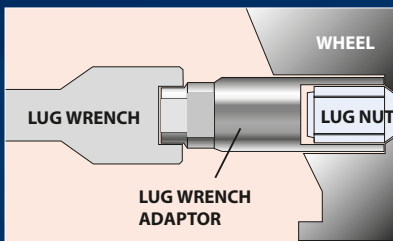
**HEX
ADAPTOR
17/19**

LUG WRENCH ADAPTORS

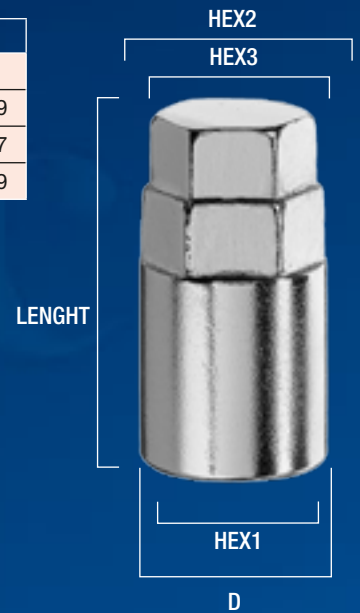
- WHEEL LOCKS SET
4 PCS IN CLAMSHELL



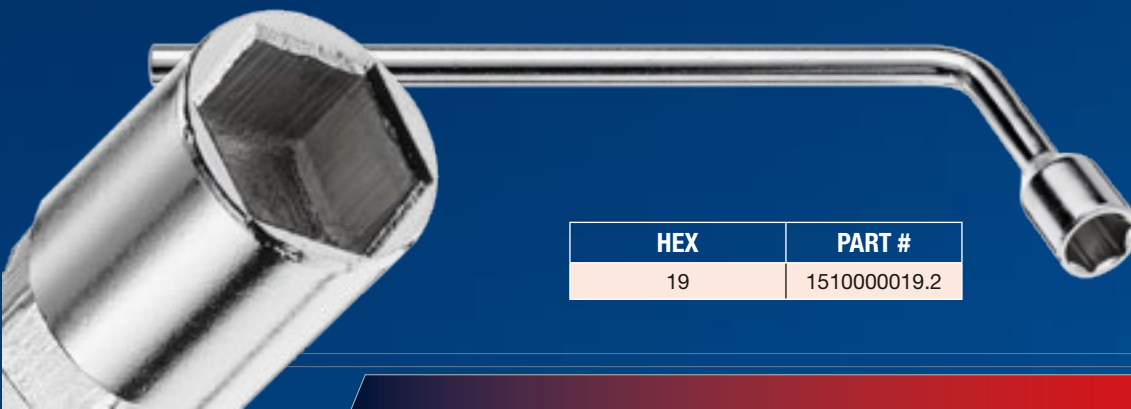
Lug wrench adaptors



HEX1	HEX2	HEX3	LENGTH	D	PART #
17	21	19	45	24	AU1921
17	21	19	75	24	BR17.2119
19	19	17	68	27	BR19.1917
19	21	19	68	27	BR19.2119



wheel brace



HEX	PART #
19	1510000019.2

PCD variations Bolts

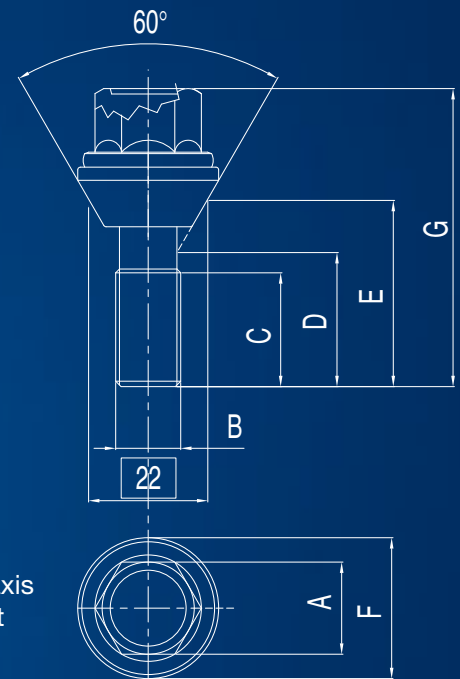
IMPORTANT MAXIMUM GUARANTEE PCD VARIATION ON RADIUS: 1.2mm (see sketch)

DIMENSIONS OF PCD VARIATION BOLTS HEX 19

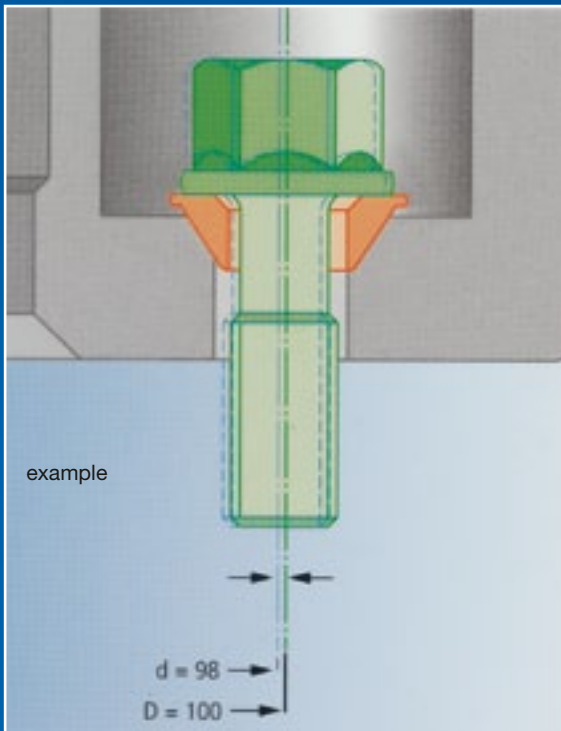
CODE	A	B	C	D	E	F	G
B39LE	19	M12x1,25	21	24,5	34,6	26	57
B40LE	19	M12x1,25	21	29,5	39,6	26	62
B39LE/55	19	M12x1,25	37	46	55	26	77,4

DIMENSIONS OF PCD VARIATION BOLTS HEX 17

CODE	A	B	C	D	E	F	G
A39LE-22	17	M12x1,25	18,5	22	32,1	26	54,5
A39LE	17	M12x1,25	21	24,5	34,6	26	57
B48LE	17	M12x1,5	21	27	36,5	26	59
B48LE-30	17	M12x1,5	24	30	39,5	26	62
D39LE	17	M14x1,5	25	27	35	28	58

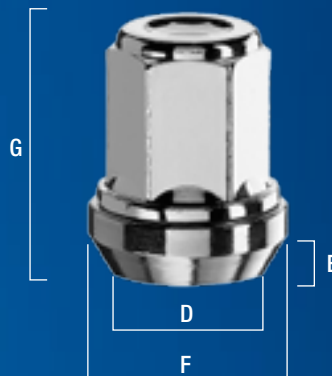


With this NEW item you can use one wheel with unified center bore for several applications. This bolt is fitted with a mobile conical washer which keeps the bolts axis perpendicular to the car flange while allowing radial displacement and a consequent PCD variation.



PCD variations Nuts

ATTENTION: Minimum thread engagement 12mm

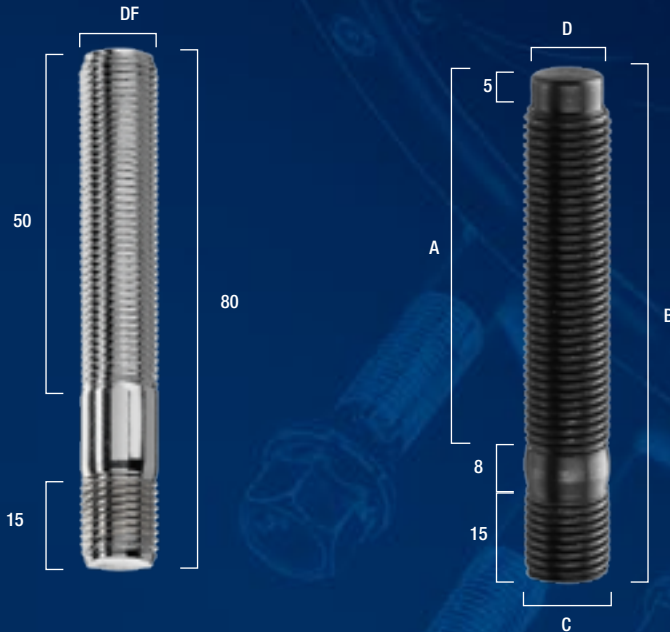


DIMENSIONS OF PCD VARIATION NUTS HEX 19

CODE	THREAD	THREAD DEPTH	D	E	F	G
DV6LE	M12x1,5	26	19	4	26	34
DV2LE	M12x1,25	26	19	4	26	34
DV10LE	1/2 UNF	26	19	4	26	34

Hub Studs

Hub studs

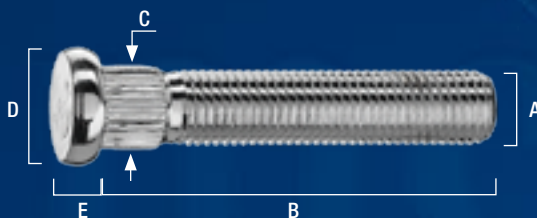


NEW

DF	PART #
M12x1,5	PRA80
M12x1,25	PRB80
M14x1,5	PRD80

PART #	A	B	C	D
PRBA68	45	68	M12x1,5	M12x1,25
PRBA82	59	82	M12x1,5	M12x1,25
PRBA100	77	100	M12x1,5	M12x1,25
PRB68	45	68	M12x1,25	M12x1,25
PRB82	59	82	M12x1,25	M12x1,25
PRB100	77	100	M12x1,25	M12x1,25
PRD68	45	68	M14x1,5	M14x1,5
PRD82	59	82	M14x1,5	M14x1,5
PRD100A	77	100	M14x1,5	M14x1,5

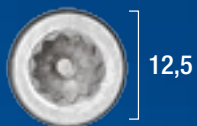
Spline wheel studs



**Please enquire
for other sizes**

VEHICLE	PART #	A	B	C	D	E
Toyota - Mazda - Hyundai-Mitsubishi	CRP143A42	M12x1,5	42	14,3	18	5
Toyota - Mazda - Hyundai-Mitsubishi	CRP143A62	M12x1,5	62	14,3	18	5
Honda	CRP124A52	M12x1,5	52	12,4	18	5
Honda	CRP124A62	M12x1,5	62	12,4	18	5
Ford - Daewoo	CRP130A40	M12x1,5	40	13,0	18	5
Ford - Daewoo	CRP130A55	M12x1,5	55	13,0	18	5
Ford - Daewoo	CRP130A65	M12x1,5	65	13,0	18	5
Subaru - Suzuki - Kia	CRP143B40	M12x1,25	40	14,3	18	5
Subaru - Suzuki - Kia	CRP143B62	M12x1,25	62	14,3	18	5
Offroads	CRP157E46D20	1/2 UNF	46	15,7	20	5

- **STAINLESS STEEL RUST PROOF**
- **Resistant to most common washing acids**



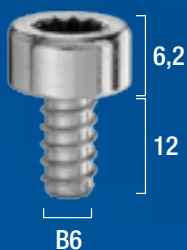
- Self tapping
- Stainless steel AISI 304



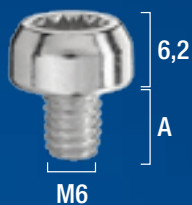
- Self tapping
- Stainless steel AISI 304



- Fitting type
- Stainless steel AISI 304



CODE
A195



CODE	A
FV M6x7.5	7,5
FV M6x12	12



CODE
FV D7x10



- Self tapping
- Stainless steel AISI 304
- Torx T25 key



CODE
FV M5x8



.....FOR THOSE WHO DEMAND THE EXCELLENCE....

Modular Wheel Studs and Nuts



13

10

M7x1



14

13

M8
x1,25



18



5,5



7

A

- Chromed steel
- Quality 10.9

M7x1



6

- Dacromet coating
- Class 10



8

- Dacromet coating
- Class 10

- Quality 10.9
- Stainless steel X5CrNiMo 17 13 3
- Torx T40 key



A

B

D

CODE	A
M7-1-31-CR	31

CODE
DM7-1-320BR

CODE
DM8

CODE	D	A	B
M7-1-21TX	M7x1	21	18
M7-1-25TX	M7x1	25	17
M7-1-32TX	M7x1	32	21
M8-34TX	M8x1,25	34	15

titanium

50% WEIGHT SAVING

Lifetime Warranty

- **Rust Proof**
- **Resistant to most common washing acids**
- **Titanium grade 5**
- **Quality 10.9**



12,5



12,5



6,3

22

M7

CODE
A180



6,2

31,5

M7

CODE
014

Wheel Spacers

available in different sizes for all makes and models
application list available

To give your car the final visual and performance touch, Bimecc has created a complete line of Aluminum hub centric Wheel Spacers. They are designed to quickly and easily adapt your vehicle to a wider and more stable stance. They give your car a more aggressive look, improve handling performance and optimize the lateral stability! They extend wheel width for higher stability and increased safety. You can use wheel spacers to provide your car with an offset not offered by the wheel manufacturer.

40 to 80 mm
track widening



THICK SPACERS
this spacer is fitted to the hub with Bimecc Short Head wheel bolts and carries new threaded steel inserts for the existing wheel bolt

- Custom designed
- CNC machined
- Available for most cars
- Suitable for OE or aftermarket wheels
- 4, 5, 6, 8 holes / studs
- diamond cut finishing

40 to 90 mm
track widening



OFF ROAD TYPE
this spacer is fitted to the hub with Bimecc Short Head nuts and carries new wheel studs for the existing wheel nuts

BENEFITS OF WHEEL SPACERS:

- Redistributes center of gravity; reduces risk of rollover
- Better traction and cornering
- Vehicle can still use factory rims
- Wider tires can be placed on the factory rims
- Allows better control at greater inclined angles
- Improved appearance!

10 to 40 mm
track widening

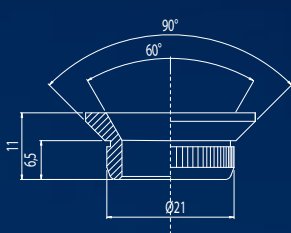


LUG THROUGH TYPE
this spacer is fitted between the wheel and hub, using longer wheel bolts available in our range

.....FASTENING WHEELS IN THE AUTOMOTIVE WORLD...

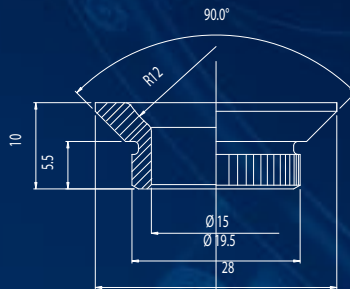
STEEL INSERTS AND COVER CAPS

Wheel Inserts Custom designed CNC machined or forged steel



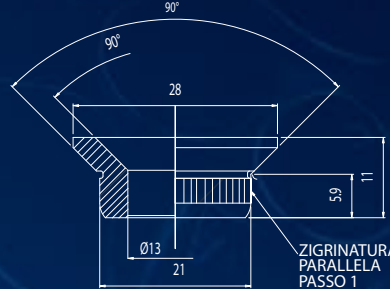
CODE

BM



CODE

BH



CODE

BP



plastic cover caps

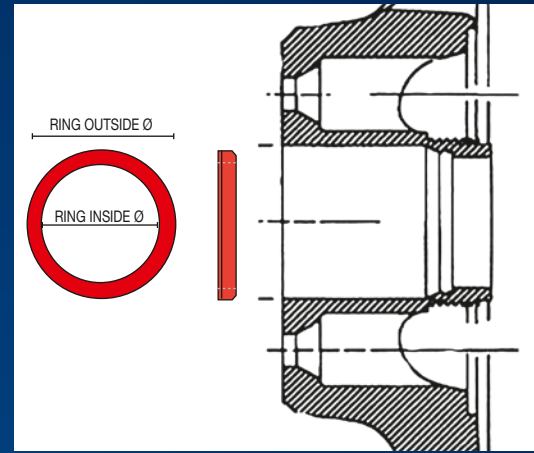
17 19 21mm

Available in black and chrome plastic with or without logo

HAVE IT PERSONALIZED!
Logo engraved by laser!



hub rings



PLASTIC HUBRING

ALUMINUM HUBRING

RING OUTSIDE

	60.1	63.3	63.4	64.0	65.1	66.6	67.1	70.0	70.1
52.1	AP601521		AP634521						
54.1	AP601541	AP633541U	AP634541	AP640541			AP671541		
56.1	AP601561	AP633561U	AP634561	AP640561			AP671561	AP700561U	
56.6	AP601566	AP633566U	AP634566	AP640566			AP671566	AP700566U	AP701566
57.1	AP601571	AP633571U	AP634571	AP640571		AP666571	AP671571	AP700571U	AP701571
58.1	AP601581	AP633581U	AP634581	AP640581			AP671581	AP700581U	AP701581
58.6		AP633586U	AP634586				AP671586		
59.1	AP601591	AP633592U	AP634591	AP640591			AP671591		AP701591
59.6								AP700595U	AP701596
60.1		AP633602U	AP634601	AP640601	AP651601		AP671601	AP700601U	AP701601
63.4					AP651634		AP671634	AP700634U	AP701634
64.1							AP671641	AP700642U	AP701641
65.1						AP666651	AP671651	AP700651U	AP701651
66.1							AP671661	AP700662U	AP701661
66.45									AP701664
66.6								AP700666U	AP701666
67.1								AP700671U	AP701671
69.1									AP701691
69.6									
70.2									
70.6									
71.5									
72.6									
74.1									

RING INSIDE DIAMETER (mm)

Please enquire for different dimensions

.....ACCESSORIES FOR ALLOY WHEELS....



DIAMETER (m m)									
70.4	71.6	72	72.2	72.6	73.1	74.1	75	76	79.5
		AP72520			AP730521				
AP704541		AP72540	AP722541	AP726541 AN726541	AP731541		AN75541	AP76540	
AP704561	AP716561	AP72561	AP722561	AP726561 AN726561	AP731561		AN75561	AP76561	
AP704566	AP716566	AP72566	AP722566	AP726566 AN726566	AP731566		AN75566	AP76566	
AP704571		AP72571 AP72571A	AP722571	AP726571 AN726571	AP731571	AP741571	AN75571	AP76571A	AP795571
AP704581		AP72581	AP722581	AP726581 AN726581	AP731581		AN75581	AP76581	
		AP72586			AP730586				
AP704591		AP72591		AN726591	AP731591		AN75591		
AP704596		AP72596		AN726596	AP730596		AN75596	AP76596	
AP704601	AP716601	AP72601	AP722601	AP726601 AN726601	AP731601	AP741601	AN75601	AP76601	AP795601
AP704634		AP72634	AP722634	AP726634 AN726634	AP731634		AN75634	AP76634	
AP704641	AP716641	AP72641	AP722641	AP726641 AN726641	AP731641	AP741641	AN75641	AP76641	AP795641
AP704651		AP72651	AP722651	AP726651 AN726651	AP731651	AP741651	AN75651	AP76651	
AP704661	AP716661	AP72661	AP722661	AP726661 AN726661	AP731661	AP741662	AN75661	AP76661	AP795661
AP704665				AP726665A	AP731664			AP76665A	AP795664
AP704666	AP716666	AP72666	AP722666	AN726665	AP731666	AP741666	AN75666	AP76666	AP795666
AP704671	AP716671	AP72671	AP722671	AP726671 AN726671	AP731671	AP741671	AN75671	AP76671	AP795671
					AP731691			AP76691	
								AP76696	
	AP716703				AP731701 AP731703	AP741701		AP76702	AP795703
	AP716706							AP76706	AP795707
					AP731716			AP76716	AP795715
						AP741726 AN741726		AP76726 AP760726U	AP795725
								AP76741 AP760741U	AP795741

Please enquire for different dimensions



Bimecc offers a new wide range of bolts and nuts for original aluminium and steel wheels. Choose the right product to fasten your wheels searching by car brand, OEM part number and technical dimensions

Car Brand	Page
ALFA ROMEO	39
AUDI	39
BMW	40
CITROËN	40-41
DACIA	42
FIAT	42
FORD	43
HONDA	44
LANCIA	44
MAZDA	44
MERCEDES	44
MINI	45







Car Brand	Page
MITSUBISHI	45
NISSAN	45
OPEL	45
PEUGEOT	46-47
PORSCHE	47
RENAULT	48
SEAT	48
SKODA	49
SUZUKI	49
TOYOTA / LEXUS	49-50
VOLVO	50
VOLKSWAGEN	51

accessories for original equipment

PICTURE	CAR TYPE	Replacement OEM Part. Number	Dimensions	Form Key	Class Coating	Wheels Type	Bimecc Part Nr.
ALFA ROMEO							
	147, 156, 166, GT, MITO	132 304 25	M12x1,25x22/48,5	Conical 60° K 17	8.8 Dacromet	Steel and Aluminium	IBS13230425
	159, Brera, Spider from '06	606 974 42	M14x1,5x25/51	Conical 60° K 17	10.9 Geomet	Steel and Aluminium	B0046-008
		606 941 02	M14x1,5x25/51	Conical 60° K 17	10.9 Geomet	Steel and Aluminium	
AUDI							
	Audi 80, Audi Coupe	3A 601 139	M12x1,5x24/45,5	Spherical R13 K 17	8.8 Yellow Zincplated	Steel and Aluminium	LS17A25FPI
	TT, A2, A3, A4, A6, A8, 100, 200, V8	8D0 601 139 D	M14x1,5x27/47,5	Spherical R13 K 17	10.9 White Zincplated	Steel and Aluminium	LS17D27F
	A6 (V8) Quattro, A8 (V8) Quattro, TT Quattro: S6, S8	4D0 601 139 A	M14x1,5x27/51 (2 pcs.)	Spherical R13 K 17	8.8 Black Zincplated	Aluminium	LS17D27F-MW
	Audi Q7	7L0 601 139 A	M14x1,5x37/67	Spherical R14 K 19	10.9 White Zincplated	Aluminium	PS19D37-MW

PICTURE	CAR TYPE	Replacement OEM Part. Number	Dimensions	Form Key	Class Coating	Wheels Type	Bimecc Part Nr.
BMW							
	1, 3, 5, 6 Series, 7 Series (E23-E32-E38), 8 Series, Z3, Z4, Z8	36 13 1 126 191	M12x1,5x26/51	Conical 60° K 17	10.9 Black Zincplated	Steel and Aluminium	B12-ZNNI
		36 13 6 781 150	M12x1,5x26/51	Conical 60° K 17	10.9 Black Zincplated	Steel and Aluminium	
	BMW 5 (E12)	36 13 1 113 132	M12x1,5	Conical 60° K 19	8 White Zincplated	Steel and Aluminium	D30
	BMW X5 (E53)	36 13 6 756 298	M14x1,5x32/44/58	Conical 60° K 17	10.9 Black Zincplated	Aluminium	C17D31F-MW
	BMW X5 (E70), X6 (E71), 5 Series (5K), 5GT, 7 Series (7L)	36 13 6781 151	M14x1,25x27	Conical 60° K 17	8.8 Black Zincplated	Aluminium	C17F27PI
CITROËN							
	Berlingo until '08, C2, C3, C4, C5, C6, Jumpy (from '07), Saxo (from '03), Xsara (from '00)	5405.67	M12x1,25x17/57	Flat bolt K 17	10,9/Geomet	Aluminium	VPE03
	AX, Saxo (until '03), Xantia, Xsara (until '00)	5405.35	M12x1,25x17/63	Flat bolt K 19	10,9/Chromed	Aluminium	VPE01
	Berlingo (from '08), C4, (from '04), C4 Coupè, C4 Picasso, C4 Grand Picasso, C5	5405.72	M12x1,25x26/49	Conical 60° K 17	10,9/Geomet	Steel	C17B24-MW
	Saxo, C2, C3, C4, Xsara until 08/02	5405.55	M12x1,25x26/52	Conical 60° K 19	10.9 White Zincplated	Steel and Aluminium	C19B26

accessories for original equipment

PICTURE	CAR TYPE	Replacement OEM Part. Number	Dimensions	Form Key	Class Coating	Wheels Type	Bimecc Part Nr.
CITROËN							
	Berlingo, C2, C3, C4, Saxo, Xsara	5405.66	M12x1,25x26/47	Conical 60° K 17	10.9 Geomet	Steel	B0400-001
	C1	5405.77	M12x1,5x21/42	Conical 60° K 17	10.9 White Zincplated	Steel	C17A21
	C1	5405.80	M12x1,5x35/59,5	Flat K 17	10.9 Dacromet	Aluminium	PZ406-9068000
	Jumper (230). Axial load I, I ⇒ I, 4 Ton.	5405.75	M14x1,5x28,2/53	Conical 60° K 24	10.9 Geomet	Steel	B0046-003
	C8	5405.69	M14x1,5x26/56,5 (2 pcs.)	Conical 60° K 17	10.9 Geomet	Aluminium	B0046-002
	C8, Jumpy (⇒2006)	5405.68	M14x1,5x25/56,5	Conical 60° K 17	10.9 Geomet	Steel	B0046-001
	Jumper (230) Axial load from I, 8 Ton.	5405.76	M16x1,5x31/57	Conical 60° K 24	10.9 Geomet	Steel	B0046-004
	Jumper (2006⇒2011)	5405.78	M14x1,5x27/62	Conical 60° K21	10.9 Geomet	Steel or Aluminium (15"only)	B0046-006
	Loading capacity I.1 ⇒ I, 7 Ton.	5405.88					
	JUMPER (2006⇒2011) Loading capacity from I, 6 Ton.	5405.79	M16x1,5x29/64	Conical 60° K 21	10.9 Geomet	Steel or Aluminium (16"only)	B0046-007

PICTURE	CAR TYPE	Replacement OEM Part. Number	Dimensions	Form Key	Class Coating	Wheels Type	Bimecc Part Nr.
DACIA							
	Logan	82 00 473 313	M12x1,5x26/51	Conical 60° K 17	10.9 White Zincplated	Steel	B12
	Sandero	82 00 610 460	M12x1,5x26/51	Conical 60° K 17	10.9 White Zincplated	Steel	
FIAT							
	Bravo (07) Panda II, Stilo, Multipla, Punto II, Idea, 500 (07), Doblò	13.230.425	M12x1,25x22/48,5	Conical 60° K 17	8.8 Dacromet	Steel and Aluminium	IBS13230425
	Cinquecento (91⇒99), Panda I, Uno (83⇒93), Barchetta, Seicento	13.228.924	M12x1,25x27/42	Conical 60° K 19	8.8 Dacromet	Steel	IBS13228924
	Grande Punto, Croma (05⇒), Sedici.	51.732.885	M12x1,5x22/47,5	Conical 60° K 17	10.9 White Zincplated	Steel and Aluminium	LC17A22F LC17A23F
	DUCATO (230) Axial load I, I ⇒ I, 4 Ton.	1.345.713.080	M14x1,5x28,2/53	Conical 60° K 24	10.9 Geomet	Steel	B0046-003
	DUCATO (230) Axial load from I, 8 Ton.	1.345.714.080	M16x1,5x34,6/57	Conical 60° K 24	10.9 Geomet	Steel	B0046-004
	DUCATO (244)	1.345.714.080	M16x1,5x31/57	Conical 60° K 24	10.9 Geomet	Steel	B0046-004
	DUCATO (2006⇒2011). Loading capacity I.1 ⇒ I, 7 Ton.	1.363.349.080	M14x1,5x27/62	Conical 60° K21	10.9 Geomet	Steel or Aluminium (15"only)	B0046-006
		1.351.202.080					
	DUCATO (2006⇒2011). Loading capacity from I, 6 Ton.	1.351.203.080	M16x1,5x29/64	Conical 60° K 21	10.9 Geomet	Steel or Aluminium (16"only)	B0046-007









accessories for original equipment

PICTURE	CAR TYPE	Replacement OEM Part. Number	Dimensions	Form Key	Class Coating	Wheels Type	Bimecc Part Nr.
FORD							
	KA (2009)	I 559 373	M12x1,25x22/48,5	Conical 60° K 17	8.8 Dacromet	Steel and Aluminium	IBS13230425
	Ka, Fiesta, Escort, Scorpio, Puma	6.040.307	M12x1,5	Conical 60° K 19	8 Phosphated	Steel	D60F
	Fusion, Focus, Mondeo	1.007.487	M12x1,5	Conical 60° K 19	8 Phosphated	Steel	
	Fiesta, Focus, C Max, Mondeo, Cougar, KA	6.111.766	M12x1,5 (Closed)	Conical 60° K 19	10 Stainless steel	Aluminium (Open)	DF02N (new version)
	Fiesta (08⇒), Focus (07⇒), C-Max (07⇒), KUGA	1.454.051	M12x1,5 (Closed)	Conical 60° K 19	10 Stainless steel	Aluminium (Open)	
	Fiesta, Focus, C Max, Mondeo, Cougar, KA	6.652.292	M12x1,5 (Open)	Conical 60° K 19	10 White Zincplated	Aluminium (With Cap)	DF01N (new version)
	Fiesta (08⇒), Focus (07⇒), C-Max (07⇒), KUGA	I 454 053	M12x1,5 (Open)	Conical 60° K 19	10 White Zincplated	Aluminium (With Cap)	
	Galaxy 95⇒00	7.201.016	M14x1,5x34/66	Spherical R14 K 19	10.9 Phosphated	Steel and Aluminium	LS19D34F
	Galaxy 00 ⇒ 07	1.126.877	M14x1,5x34/62	Spherical R14 K 19	10.9 Dacromet	Steel and Aluminium	LS19D34F-MW
	S-Max 06 ⇒ Galaxi 06 ⇒	1.377.748	M14x1,5	Conical 60° K 21	10 White Zincplated	Steel	D62F
	S-Max 06 ⇒	1.428.137	M14x1,5	Conical 60° K21	10 Stainless steel	Aluminium	DF03
	Galaxy 06 ⇒	1.377.747					

PICTURE	CAR TYPE	Replacement OEM Part. Number	Dimensions	Form Key	Class Coating	Wheels Type	Bimecc Part Nr.
HONDA							
	All passenger car models	90381-SL5-901	M12x1,5 (open)	Spherical R12 K 19	8 White Zincplated	Steel	D14R
		90304-SC2-000					
	All passenger car models	90381-SL5-901	M12x1,5 (closed)	Spherical R12 K 19	8 White Zincplated	Aluminium	D30R
		90304-SC2-000					
LANCIA							
	Delta (08⇒), Kappa, Lybra, Musa, Y	13.230.425	M12x1,25x22/48,5	Conical 60° K 17	8.8 Dacromet	Steel	IBS13230425
MAZDA							
	3, 5, 6, 323, 626, MX3, MX5, MX6, Premacy	0603 26 161	M12x1,5	Conical 60° K 21	8 Yellow Zincplated	Steel	DMTSB
MERCEDES							
	W (110, 111, 120)	120 990 00 59	M12x1,5	Spherical R12 K 17	10 White Zincplated	Steel	D95R
	W (124, 126, 170, 201, 202, 203, 208, 209, 210)	170 401 01 70	M12x1,5x21/39,5	Spherical R12 K 17	10.9 White Zincplated	Steel	LS17A2 IF
		201 401 02 70					
		210 401 02 70					
	W (163, 164, 169, 199, 204, 207, 209, 211, 212, 219, 230, 245, 251, 639)	000 990 67 07	M14x1,5x26.5/49	Spherical R14 K 17	10.9 Geomet	Aluminium	LS17D27R14MB
		000 990 69 07					
		000 990 72 07					
		000 990 49 07					
		163 401 06 70					
		211 401 03 70					
	W (124, 168, 170, 201, 202, 203, 208, 210)	124 400 01 70	M12x1,5x40/61	Spherical R12 K 17	10.9 White Zincplated	Aluminium	S17A40 / B22
		000 990 48 07					
		124 400 00 70					
		124 400 04 70					
		202 400 00 70					
		000 990 10 07					
		203 401 02 70					

accessories for original equipment

PICTURE	CAR TYPE	Replacement OEM Part. Number	Dimensions	Form Key	Class Coating	Wheels Type	Bimecc Part Nr.
MINI							
	Mini 00 ⇒ 06	36 13 0 141 574	M12x1,5x26/51	Conical 60° K 17	10.9 Black Zincplated	Steel and Aluminium	B12-ZNNI
	Mini 06 ⇒ 11	36 13 6 774 896	M14x1,25x27/48	Conical 60° K 17	8.8 Black Zincplated	Steel and Aluminium	C17F27PI
		36 13 6 781 151					
MITSUBISHI							
	Carisma, Colt, Galant, Lancer, L300, Space Wagon	MR 297927	M12x1,5	Conical 60° K 21	8 Yellow Zincplated	Steel	DMTSB or D2 I
		MA 103 087					
NISSAN							
	Micra (K12), Note (E11)	40254-00QAB	M12x1,5x25/51	Conical 60° K 19	10.9 White Zincplated	Steel and Aluminium	B15
		40222-BC40A					
	100NX, 200SX, Almera, Maxima, Micra (K10-K11), Patrol, Pick-Up, Primera, Qashqai, Seena, Sunny, Terrano, X-Trail	40224-G9501	M12x1,25	Conical 60° K 21	8 Yellow Zincplated	Steel	DNIS
		40224-21001					
OPEL							
	Corsa A-B-C, Agila, Astra, Vectra, Omega, Signum, Meriva, Zafira A-B	1.008.504	M12x1,5x22/47,5	Conical 60° K 17	10.9 White Zincplated	Steel and Aluminium	LC17A22F LC17A23F

PICTURE	CAR TYPE	Replacement OEM Part. Number	Dimensions	Form Key	Class Coating	Wheels Type	Bimecc Part Nr.
PEUGEOT							
	106 I, 106 II, 205 I, 205 II, 206, 206SW, 306, 307, 309 I, 309 II, 405 I, 405 II, 406, 605, Ranch	5405.35	M12X1,25X17/63	Flat bolt K 19	10,9/Chromed	Aluminium	VPE01
	308, 3008, 407, 407 Coupè, 407SW, Expert III, Tepee, Ranch	5405.72	M12X1,25X26/49	Conical 60° K 17	10,9/Geomet	Steel	C17B24-MW
	106, 205, 206, 306, 307, 309, 405, 406, 605	5405.55	M12x1,25x26/52	Conical 60° K 19	10.9 White Zincplated	Steel	C19B26
	106, 206 (02⇒), 207, 307, 406, 1007	5405.66	M12x1,25x26/47	Conical 60° K 17	10.9 Geomet	Steel	B0400-001
	1007, 206, 207, 307, 308, 406, 407, 607, Partner, Tepee, Expert III	5405.67	M12x1,25x17/57	Flat bolt K17	10.9 Geomet	Aluminium	VPE03
	107	5405.77	M12x1,5x21/47	Conical 60° K 17	10.9 White Zincplated	Steel	C17A21
	107	90942-W2002	M12x1,5x35/59,5	Flat K 17	10.9 Geomet	Aluminium	PZ406-9068000
	807	5405.69	M14x1,5x26/56,5 (2 pcs.)	Conical 60° K 17	10.9 Geomet	Aluminium	B0046-002

accessories for original equipment

PICTURE	CAR TYPE	Replacement OEM Part. Number	Dimensions	Form Key	Class Coating	Wheels Type	Bimecc Part Nr.
PEUGEOT							
	807, Expert	5405.68	M14x1,5x25/56,5	Conical 60° K 17	10.9 Geomet	Steel	B0046-001
	BOXER(230). Axial load 1, 1 ⇒ 1, 4 Ton.	5405.75	M14x1,5x28,2/53	Conical 60° K 24	10.9 Geomet	Steel	B0046-003
	BOXER (230). Axial load from 1, 8 Ton.	5405.76	M16x1,5x31/57	Conical 60° K 24	10.9 Geomet	Steel	B0046-004
	BOXER (244)						
	BOXER (2006⇒2011). Loading capacity 1.1 ⇒ 1, 7 Ton.	5405.78	M14x1,5x27/62	Conical 60° K21	10.9 Geomet	Steel or Aluminium (15"only)	B0046-006
		5405.88					
	BOXER (2006⇒2011). Loading capacity from 1, 6 Ton.	5405.79	M16x1,5x29/64	Conical 60° K 21	10.9 Geomet	Steel or Aluminium (16"only)	B0046-007
PORSCHE							
	911 (964), 924, 944	N 020 112 1	M14x1,5	Spherical R14 K 19	10 White Zincplated	Aluminium	D17R
	Boxter, Cayman, Carrera (996, 997)	996 361 203 01 (02)	M14x1,5x30/60	Spherical R14 K 19	10.9 White Zincplated	Aluminium	PS19D30-MW
	Cayenne	7L0 601 139 A	M14x1,5x37/67	Spherical R14 K 19	10.9 White Zincplated	Aluminium	PS19D37-MW

PICTURE	CAR TYPE	Replacement OEM Part. Number	Dimensions	Form Key	Class Coating	Wheels Type	Bimecc Part Nr.
RENAULT							
	R5, Twingo I, Clio I, Clio II, Megane I, Espace (85⇒90), Kangoo (98⇒08), R19, R21	82 00 030 701	M12x1,5x25/51	Conical 60° K 19	10.9 White Zincplated	Steel	B15
	Clio III, Laguna II, Megane II, Modus, Twingo II, Kangoo II, Scenic II	82 00 473 313 82 00 610 460	M12x1,5x26/51	Conical 60° K 17	10.9 White Zincplated	Steel	B12
	Clio III, Laguna II, Megane II, Modus, Twingo II, Kangoo II, Scenic II	82 00 473 353	M12x1,5x24/50	Conical 60° K 17	10.9 White Zincplated	Aluminium	B27
SEAT							
	Ibiza (2, 3) Cordoba, Toledo, Inca, Arosa	3A0601139 321 601 139C	M12x1,5x23,5/45,5	Spherical R13 K 17	8.8 Yellow Zincplated	Steel and Aluminium	LS17A25FPI
	Toledo (1, 2, 3), Leon (1, 2), Altea, Ibiza(4), Cordoba, Exeo	8D0601139D	M14x1,5x27/47,5	Spherical R13 K 17	10.9 White Zincplated	Steel and Aluminium	LS17D27F
	Alhambra (1996⇒2000)	701 601 139 B	M14x1,5x34/55	Spherical R14 K 19	10.9 Phosphated	Steel and Aluminium	LS19D34F
	Alhambra (2001⇒2007)	7M3 601 139B	M14x1,5x34/62	Spherical R14 K 19	10.9 Dacromet	Steel and Aluminium	LS19D34F-MW

accessories for original equipment

PICTURE	CAR TYPE	Replacement OEM Part. Number	Dimensions	Form Key	Class Coating	Wheels Type	Bimecc Part Nr.
SKODA							
	Fabia, Octavia (1, 2), Roomster, Superb	8D0 601 139 D	M14x1,5x27/47,5	Spherical R13 K 17	10.9 White Zincplated	Steel and Aluminium	LS17D27F
SUZUKI							
	Ignis (03⇒), SX-4, Swift III, Wagon R+ (05⇒)	43423-86G00	M12x1,5x22/47,5	Conical 60° K 17	10.9 White Zincplated	Steel and Aluminium	LC17A22F
TOYOTA / LEXUS							
	Auris, Avensis, Carina, Corolla, Camry, Yaris, 4 Runner	90942-01007	M12x1,5	Conical 60° K 21	8 Yellow Zincplated	Steel	DMTSB
	All Toyota passenger car models, Lexus ES300-330-350 (from '07/01), GS300-400-430- 450H (from '08/97), IS200- 250-300-350 (from '01/99), LS430, RX300- 330-400H (from '02/03)	90942-01053	M12x1,5	Flat K 21	8 Chromeplated	Aluminium	DTOY01
	4 Runner, Land Cruiser, Prado, Rav4, Highlander, Lexus ES300, GS300-400- 430 (from '08/96), GX470, IS200-300 (from '07/01), LS400-430 (from '01/00), RX300-400H (from '01/98), SC300-400-430 (from '01/97)	90942-01858	M12x1,5	Flat K 21	8 Chromeplated	Aluminium	DTOY03
	Toyota Tundra, Land Cruiser 100-200-400, Lexus LX470- 570	90942-01103	M14x1,5	Flat / K 22	8 Chromeplated	Aluminium	DTOY04

PICTURE	CAR TYPE	Replacement OEM Part. Number	Dimensions	Form Key	Class Coating	Wheels Type	Bimecc Part Nr.
TOYOTA / LEXUS							
	Aygo	90942-W2001	M12x1,5x21/47	Conical 60° K 17	10.9 White Zincplated	Steel	C17A21
	Aygo	90942-W2002	M12x1,5x35/59,5	Flat K 17	10.9 Geomet	Aluminium	PZ406-9068000
VOLVO							
	240-260	1273332	1/2" NF	Conical 60° K 19	8 White Zincplated	Steel and Aluminium	D33
	V40/S40 (until 2004)	30870000	M12x1,5	Conical 60° K 21	8 Yellow Zincplated	Steel	DMTSB or D2 I
		30873148					
	S40/V50 (2004⇒2007)	8665333	M12x1,5	Conical 60° K 19	8 Phosphated	Steel	D60F
		999359					
	850 (all models), C/SV70 (until 02/2000)	3546651	M12x1.75x28,5/55	Conical 60° K 19	10.9 White Zincplated	Steel and Aluminium	VOLVO
	S60, S80, V70, XC70, XC90	31202337	M14x1,5x34/60	Conical 60° K 19	10.9 White Zincplated	Steel and Aluminium	C19D34-MW
		30683076					

accessories for original equipment

PICTURE	CAR TYPE	Replacement OEM Part. Number	Dimensions	Form Key	Class Coating	Wheels Type	Bimecc Part Nr.
VOLKSWAGEN							
	Type2	N 020 112 I	M14x1,5	Spherical R14 K 19	10 White Zincplated	Steel	D17R
	Caddy (1,2), Corrado (88⇒95), Golf (1, 2, 3), Jetta (1, 2), Lupo, Passat (80⇒97), Polo (81⇒01), Scirocco (74⇒90), Vento (91⇒98)	321601139 C 3A0 601 139	M12x1,5x23,5/45,5	Spherical R13 K 17	8.8 Yellow Zincplated	Steel and Aluminium	LS17A25FPI
	Sharan (1), Transporter T4 (90⇒03)	701 601 139 B 7M0 601 139A	M14x1,5x34/55	Spherical R14 K 19	10.9 Phosphated	Steel and Aluminium	LS19D34F
	Sharan (2), Transporter T4 (2001⇒2003)	7M3 601 139 B	M14x1,5x34/62	Spherical R14 K 19	10.9 Dacromet	Steel and Aluminium	LS19D34F-MW
	Bora, Beatle, Fox, Golf (3, 4, 5, 6), Passat (97⇒10), Phaeton, Tiguan, Touran, Vento (91⇒98)	8D0 601 139 D 443 601 139 A	M14x1,5x27/47,5	Spherical R13 K 17	10.9 White Zincplated	Steel and Aluminium	LS17D27F
	Touareg (02⇒10), Transporter T5	7L0 601 139 A	M14x1,5x37/67	Spherical R14 K 19	10.9 White Zincplated	Aluminium	PS19D37-MW

Bimecc®

Bimecc Engineering S.p.A.

Via Volta 18
35030 Veggiano (PD)
Italy
Tel. 0039 0499048311
Fax 0039 0499001738
<http://www.bimecc.it>
e-mail: bimecc@bimecc.it

Bimecc UK Ltd

Unit 10 Handley Page Way
Old Parkbury Lane, Colney
Street, St Albans,
Herts AL2 2DQ United Kingdom
Tel 0044 (0) 1923 855234
Fax 0044 (0) 1923 855254
<http://www.bimecc.co.uk>
e-mail: sales@bimecc.co.uk

Bimecc USA Inc.

14782 Yorba Court Unit 52
Chino, California 91710
Tel. ++1 909 614 1822
Fax ++1 909 614 1343
<http://www.bimecc-usa.com>
e-mail: info@bimecc-usa.com

